

Panasonic

ideas for life

Infrared Wireless Portable Sound System

Infrared Wireless Powered Speaker

WX-LP100

Infrared Wireless Microphone

(Pendant Type) **WX-LT350**

Infrared Wireless Microphone <Optional>

(Handheld Type) **WX-LT150**

**Ideal for classrooms,
lecture rooms,
and conference rooms!**



Enhance Instruction and Communication — Panasonic's All-in-one Portable Sound System Delivers Quality Sound for Any Environment

The all-in-one Portable Sound System provides a simple yet powerful sound enhancement system for classrooms, training centers, conference rooms, and more. Combining an infrared sensor, receiver/amplifier, and speaker in one system, it goes where you go and requires no installation. It is an advanced education and business tool made possible by Panasonic's world renowned audio technology.

Almost anyone can benefit from this powerful all-in-one system:

Schools benefit with:

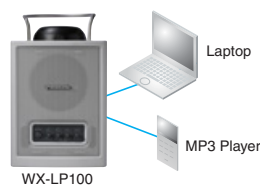
- Higher student achievement
- More effective classroom management
- Higher teacher retention with less strain during instruction
- Effective instruction and student development

Businesses benefit with:

- Eliminate eavesdropping with infrared wireless technology
- Enhanced presentations with targeted sound delivery
- Reduced presenter fatigue
- Eliminate extraneous noise and interference

Plug and Play

Just plug it in and talk. The WX-LP100 makes setup quick and easy, no external infrared sensor connection required. 2 microphones and 2 multimedia inputs can be used at a time.



Flexible

The WX-LT350 and WX-LT150 microphones are equipped with auxiliary inputs, which allows a multimedia source to be connected and the audio signal wirelessly transmitted to the speaker.



(Auxiliary connection disables internal microphone.)

Easy to carry

Compact, lightweight and rugged design, the WX-LP100 provides maximum performance and flexibility.

Easy to use

Simple and easy-to-use system provides front panel controls for the 2 infrared microphone inputs and 2 multimedia inputs.

Remote Control

With the WX-LT350 microphone, the volume of both infrared microphones and the multimedia inputs can be easily adjusted via the speaker.



Infrared Wireless Portable Sound System

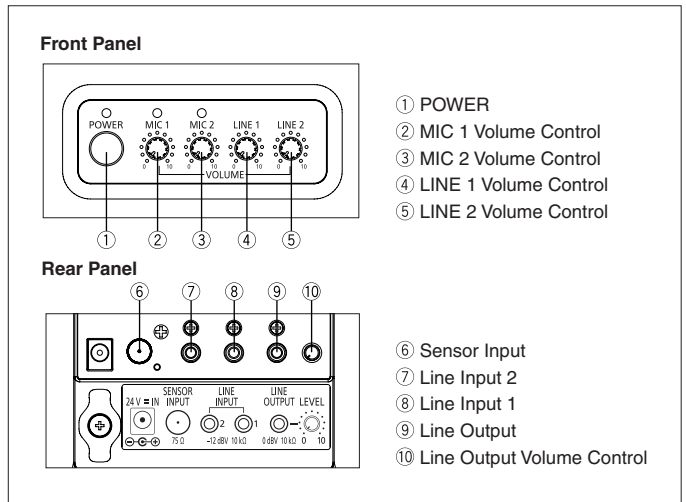
Key Features (WX-LP100)

- Integrated dual channel infrared wireless receiver
- Two stereo (mixed to mono) multimedia inputs
- Remote control of wireless microphones and multimedia sources from presenter microphone
- Wide horizontal signal dispersion for even coverage
- Compact, lightweight and rugged design for flexible placement
- Infrared technology provides an environment where frequency interference & eavesdropping are problems of the past
- Front panel controls for easy access
- Adjustable output for recording
- Adjustable output for assistive listening devices

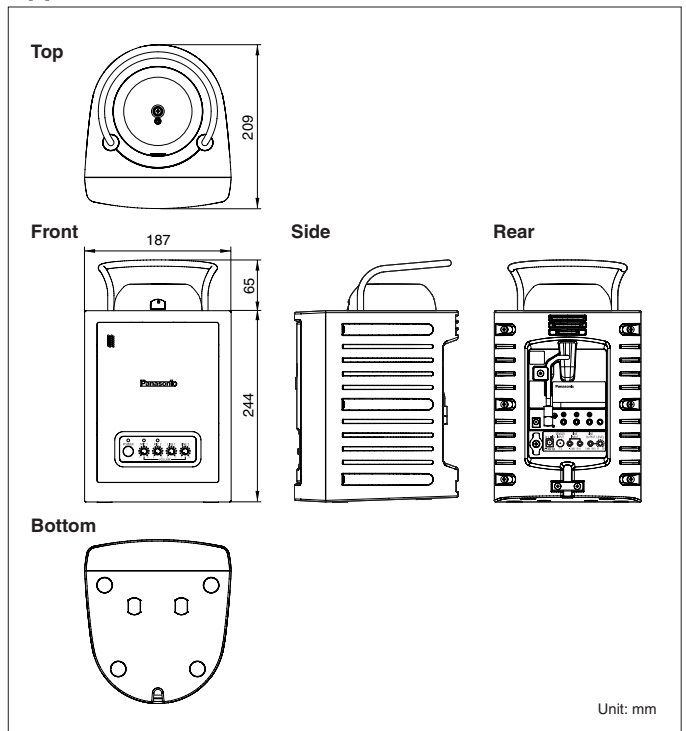
Specifications (WX-LP100)

Amplifier/Receiver Unit	
Power Source	24 V DC (Using the attached AC adaptor unit)
Power Consumption	450 mA
Infrared Sensor Input	75 Ω F type connector (with Sensor WX-LT300) Output power for Sensor: 22 V DC, 100 mA Max.
Receiving Channel (Sub Carrier Frequencies)	Ch1: 2.3 MHz, Ch2: 2.8 MHz
Receiving System	TRF (Tuned Radio Frequency)
Squelch Level	24 dB μ V (including Sensor)
Tone Squelch Frequency	32.768 kHz
Line Input 1, 2	-12 dBV, unbalanced, ϕ 3.5 mini jack (L and R mixing for stereo input)
Line Output	0 dBV, unbalanced, ϕ 3.5 mini jack (Monaural audio output for L and R)
Volume Control*	changeable microphone volume by the 2 dB step (+6 dB ~ -16 dB) (Reset by power OFF/ON)
Speaker Type	12 cm Full Range Bass Reflex
SPL	93 dB SPL, 1 m, 1 W
Distortion	Less than 1 %
Frequency Response	100 Hz ~ 15 kHz (Line input ~ Speaker output)
Operating Temperature	+5 °C ~ +35 °C
Dimensions	187 mm (W) x 309 mm (H) x 209 mm (D) (7-3/8"(W) x 12-3/16"(H) x 8-1/4"(D))
Weight	approx. 3.7 kg (8.14 lbs.)
Finish	AV medium gray ABS resin (similar to Munsell N7)
* Volume controllable Microphone: WX-LT350	
Infrared Sensor (attached)	
Power Source	22 V DC (supplied from Amplifier/Receiver unit)
Power Consumption	20 mA
Infrared Ray Wavelength	850 nm
Sensor Output	75 Ω F type connector
Receiving Channel (Sub Carrier Frequencies)	Ch1: 2.3 MHz, Ch2: 2.8 MHz
Dimensions	Max. ϕ 113.5 mm x 34.5 mm (H) (ϕ 4-7/16" x 1-3/8"(H)) (excluding a projection for F type connector)
Weight	approx. 0.2 kg (0.44 lbs.)
Finish	Black color / Infrared ray transmission acrylic resin


Components and Functions (WX-LP100)



Appearance (WX-LP100)



Infrared Wireless Portable Sound System

<p>Infrared Wireless Powered Speaker WX-LP100</p> <p>All-in-one portable speaker incorporating 2-channel receiver, sensor, amplifier and speaker.</p>  <p>ENERGY STAR</p> <p>As an ENERGY STAR® Partner®, Panasonic has determined that this product meets the ENERGY STAR® guidelines for energy efficiency.</p>	<p>Infrared Wireless Microphone (Pendant) WX-LT350</p> <p>Hands-free pendant-style microphone. Equipped with remote volume controls. Ideal for teacher or presenter use.</p> 	<p>Battery Charger WX-LZ150</p> <p>Direct connection. Allows simultaneous charging of 2 microphones.</p> 	<p>Infrared Wireless Microphone (Handheld) WX-LT150</p> <p>Lightweight, simple design. Ideal for student, teacher or audience use.</p> 
--	---	--	---

Trademarks and registered trademarks

– ENERGY STAR and the ENERGY STAR mark are registered U.S. marks.

Important

– Safety Precaution: carefully read the operating instructions and installation manual before using this product.

• All TV pictures are simulated.

• Weights and dimensions are approximate.

• Specifications are subject to change without notice.

• These products may be subject to export control regulations.

DISTRIBUTED BY:

Panasonic®

<http://panasonic.net/pss/irw/>

Printed in Japan (1N-795)